



PROTEUS 1" MEA Water Device

Suitable for a large home, smallholding or acreage.

DEVICE THREAD 1¼" BSP male inlet & outlet
INTERNAL PIPE 1"
TO FIT PIPE 1" or 1¼"

Easily installed by a handyperson or plumber

YOU WILL NEED

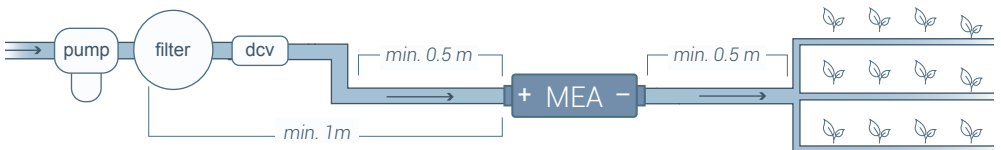
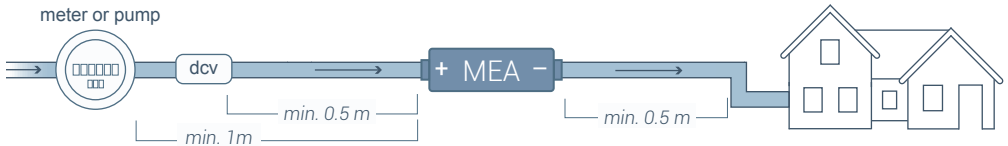
- 2 x 1¼" BSP joiners, sockets or enlargers to fit the water pipes
- Plumbers tape
- Basic tools
- Inspection/valve box (optional)

SITE

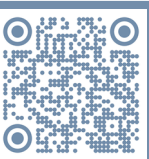
Install the MEA Water device between the water meter or pump and the building or outlet. Position at least 1m away from electrical motors to ensure no electromagnetic interference.

There should be a minimum of 0.5m of uninterrupted straight run pipe at both the INPUT (+) and OUTPUT (-) ends to allow the waterflow to vortex.

If installing the device underground, an inspection/valve box will make it easy to locate the device in the future.



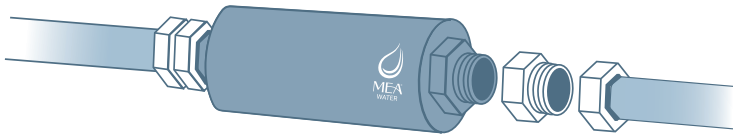
VIDEO LINK



HOW TO Install
a MEA Water
Inline Device

INSTRUCTIONS

1. Turn off the water supply.
2. Wrap plumbers tape in a clockwise direction around both threads of the device.
3. Cut the pipe to allow for the device and fittings, then attach the fittings to the cut ends.
4. Screw the fittings firmly to the device, ensuring the INPUT (+) and OUTPUT (-) are placed correctly in line.
5. Turn on the water supply and test for leaks.



Fittings may differ from diagram depending on the type of pipes

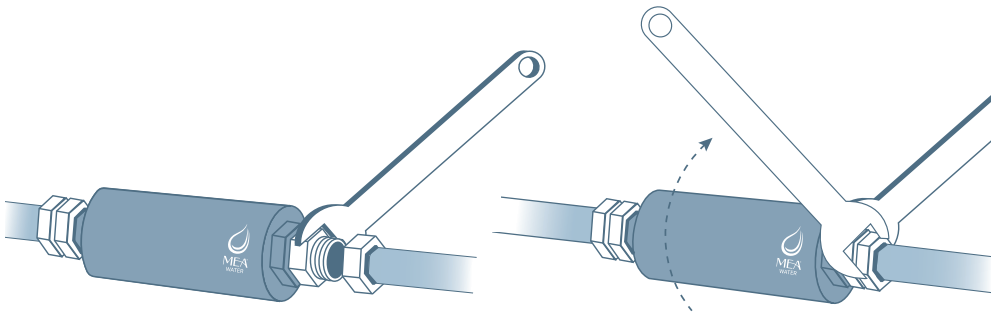
CARE

Attach the fittings carefully as misalignment may damage the thread.

Do not use a wrench or clamp on the main barrel of the device. A wrench can be used on the hexagonal end of the device to hold it steady only.

To tighten, turn the fittings rather than the device end.

Incorrect clamp or wrench use may result in hidden leaks.



For operation to WaterMark Australia standards, installation must be in accordance with AS/NZS3500 and have a dual check valve (dcv) fitted between the water meter or pump and the device (see diagram). This product complies with the requirements of Lead Free standards as defined in the National Construction Code Volume 3 and is suitable for use as part of Lead Free installation.



INITIAL WATER PIPE FLUSH

Post installation procedure

Older water pipes may have accumulated sludge, calcite deposits and other debris. These buildups can harbour toxic minerals, chemicals and harmful microorganisms such as E. coli and Protozoan parasites..

To ensure the water is clean and safe after installing a MEA Water Device, it is recommended that a water flush be performed.

INSTRUCTIONS

1. Turn on every tap and outlet connected to the water system.
 2. Let the water run to flush out any residual debris or contaminants.
 3. Check for discolouration or unusual odours – these may indicate buildup.
 4. Turn off the taps when the water runs clear.
-